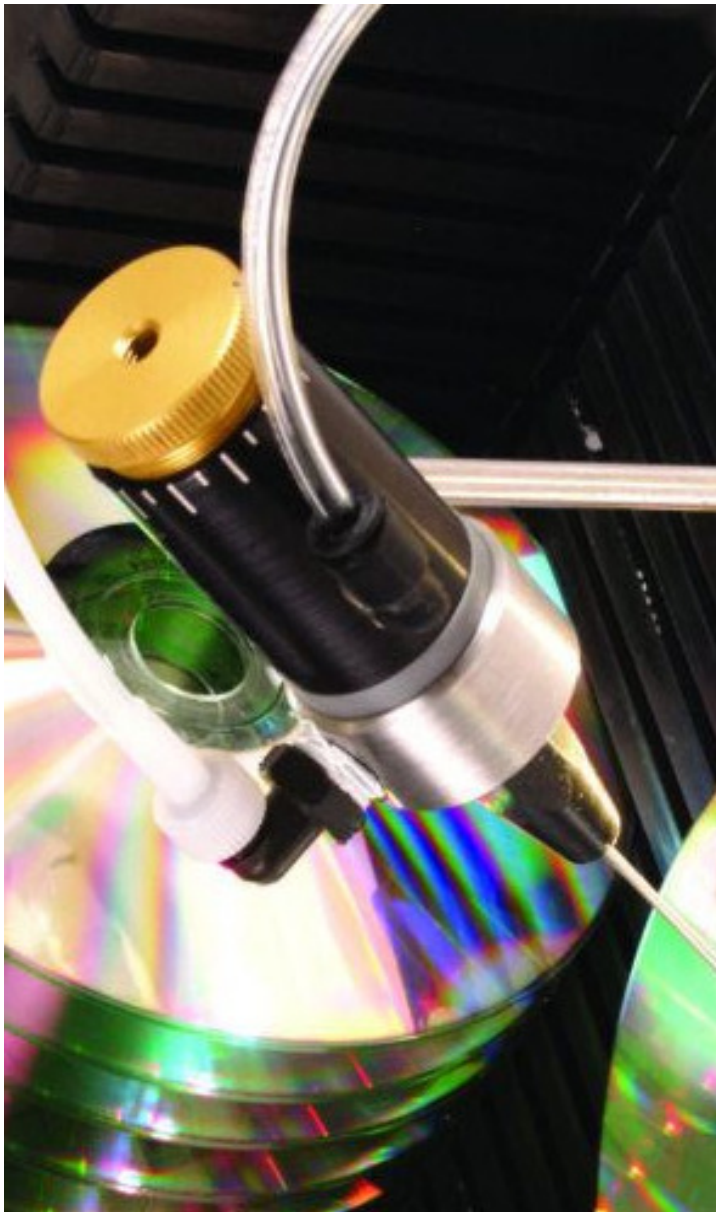


Mini diaphragm valves for precise flow control

Activators Anaerobics Cyanoacrylates Fluxes Solvents UV-cure & light-cure adhesives



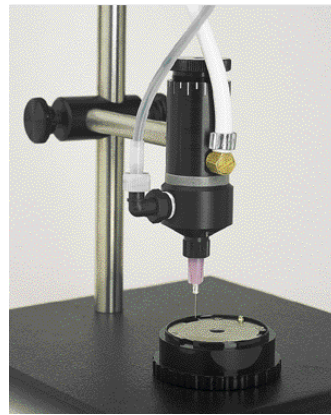
The TS5620 Series dispense valve systems accurately control the application of most low to medium viscosity fluids.

A seal-less design incorporates an inert polymer diaphragm that isolates the actuator from the valve.

Valve open time can be as quick as 15 milliseconds. An adjustable open/close stroke 0.13 to 0.64mm (0.005" to 0.025") creates very fast response and positive shut off.

Model TS5622VU with UHMW* polymer wetted parts is used for dispensing solvents, cyanoacrylates, anaerobics, primers and fluxes.

A light blocking acetal valve chamber on the TS5622VD provides consistent, bubble-free dispensing of UV-cure polymers.



Features

- Compact size and weight
- Adjustable fluid stroke flow control
- Positive shut off, no seals
- Diaphragm life exceeds 100 million cycles
- Easy cleaning
- FDA-compliant wetted parts
- Cycle rate exceeds 500/minute
- Low-maintenance design



Adhesive Dispensing Ltd
Solutions customers stick with...



www.adhesivedispensing.net

sales@adhesivedispensing.net

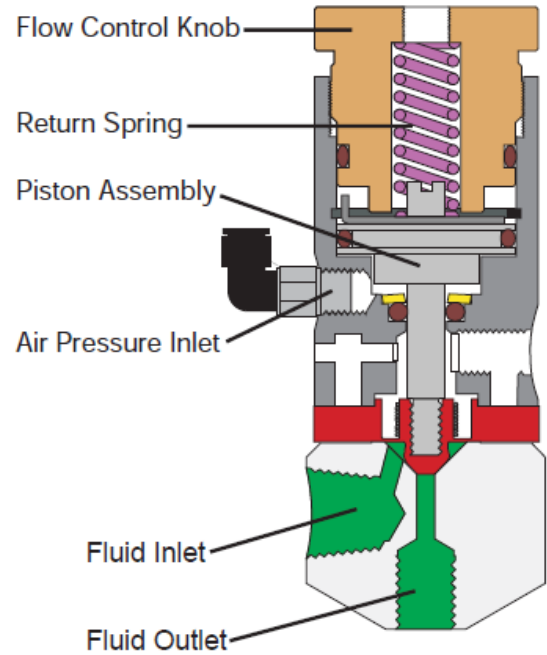
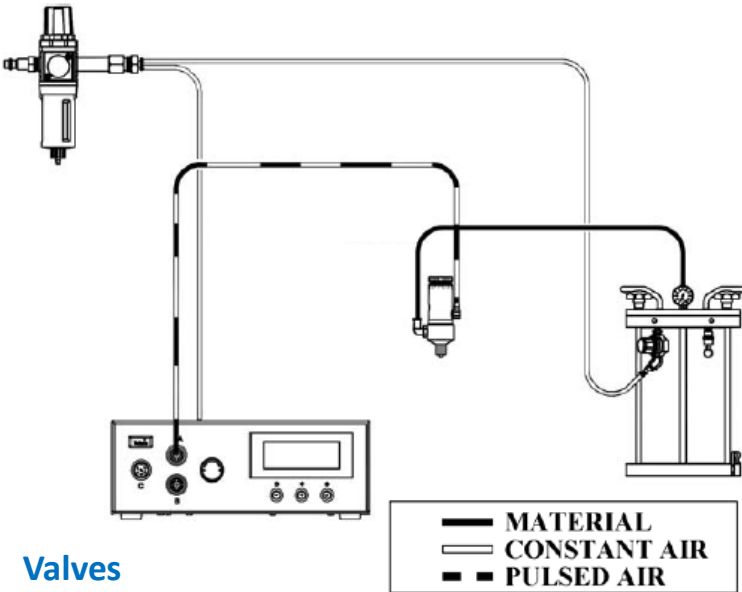
0800 0949058

Diaphragm valves



The complete application system includes the TS5620 Series air-operated valve, TS500R digital timed controller, a choice of fluid reservoirs and a luer lock dispense tip.

Experienced expert technical assistance and high quality products ensure productive, hassle-free performance. Adhesive Dispensing Ltd offers a full range of reliable dispensing systems to meet your specific application requirements.



Valves

The TS5600 Series valves are used with TS500R, TS350 or TS250 controllers or J2200 Series automation systems for repeatable outputs of low to medium viscosity fluids. The TS5600 Series wetted components are inert plastics. Each valve can be calibrated with the stroke control knob for adjustment to flow control. The amount dispensed depends on valve open time, fluid pressure, fluid viscosity, flow adjustment and luer lock tip size.

Controllers

The amount dispensed depends on valve open time, fluid pressure, fluid viscosity, flow adjustment and luer lock tip size. Valve open time is the main control of deposit size. The controller puts push-button adjustment of valve open time where it needs to be — at the valve.

Select the TS500R for digital display, I/O port for link to PLC, timer memory and low level air alarm. On the fly adjustability. Use TS350 or TS250 for more basic control.

	TS5622VT	TS5622VU	TS5622VD
Size	2.63" Length X 1.06" (66.80mm X 26.90mm)		
Weight	0.18 lb (80g)	0.14 lb (64g)	0.16 lb (71g)
Fluid Inlet Port	1/8" NPT female	1/8" NPT female	1/8" NPT female
Fluid Outlet Port	1/4-28 UNF	1/4-28 UNF	1/4-28 UNF
Air Inlet Port	10-32 UNF	10-32 UNF	10-32 UNF
Auxiliary Air Inlet Port	10-32 UNF	10-32 UNF	10-32 UNF
Minimum Air Pressure	70 psi (4.8bar)	70 psi (4.8bar)	70 psi (4.8bar)
Maximum Fluid Pressure	70 psi (4.8bar)	70 psi (4.8bar)	70 psi (4.8bar)
Operating Frequency	Exceeds 500 cycles/min.	Exceeds 500 cycles/min.	Exceeds 500 cycles/min.
Mounting Port	10-32 UNF	10-32 UNF	10-32 UNF
Wetted Parts	Teflon®	UHMWPE	UHMWPE, Delrin®

Fluid Reservoirs

Our reservoirs are supplied with precision regulators to ensure consistent fluid pressure to each valve. Tanks available in 0.5, 1.0, 2.0, 5.0 and 19.0 litre capacities. TSI Retainer Systems and Cartridges available from 2.5 to 32 ounces (75cc to 950cc). The TS1215 tank accepts a 500g bottle of cyanoacrylate. Our tips range from 14 gauge to 34, with special Teflon for Cyanoacrylate adhesives.

